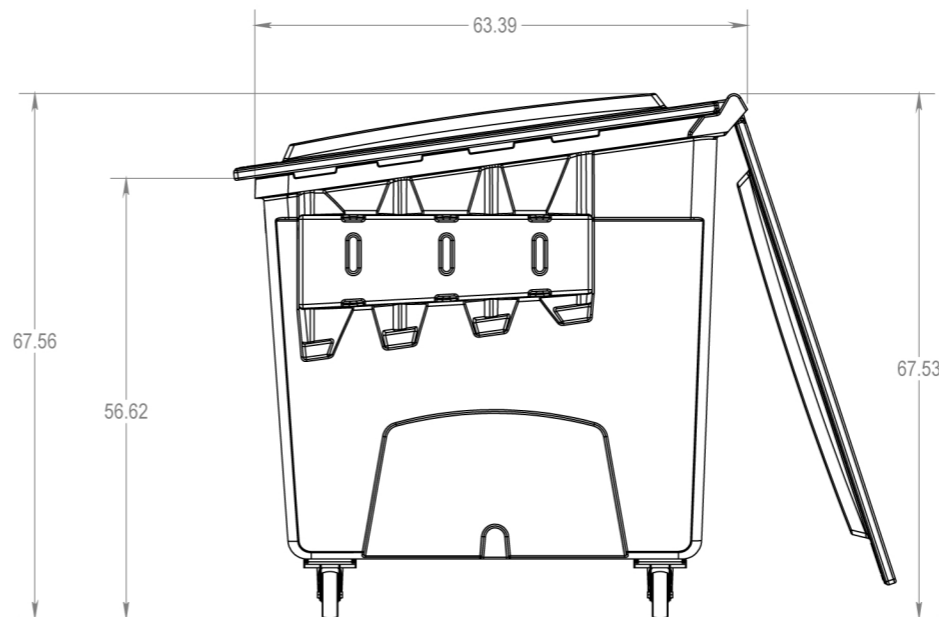
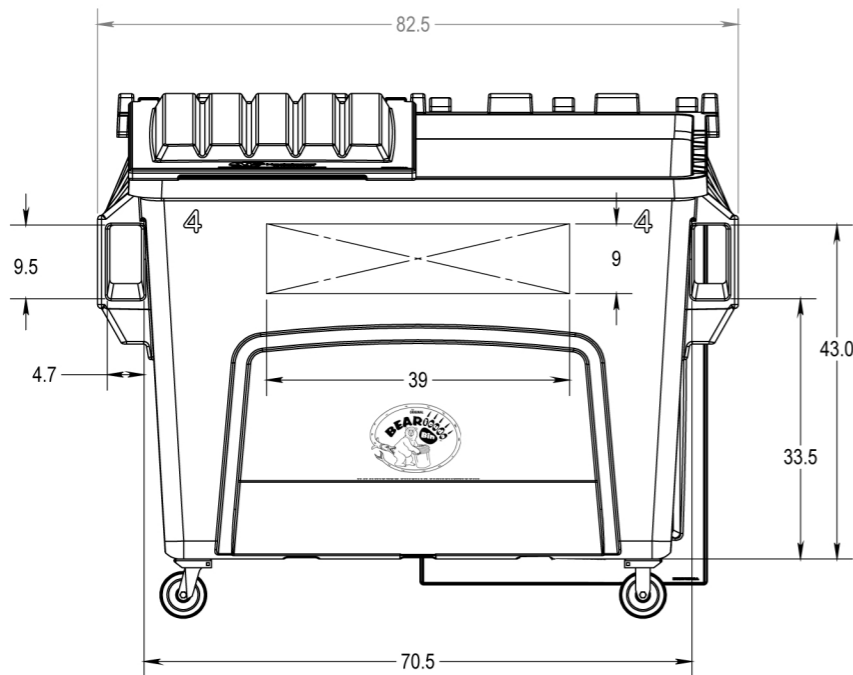
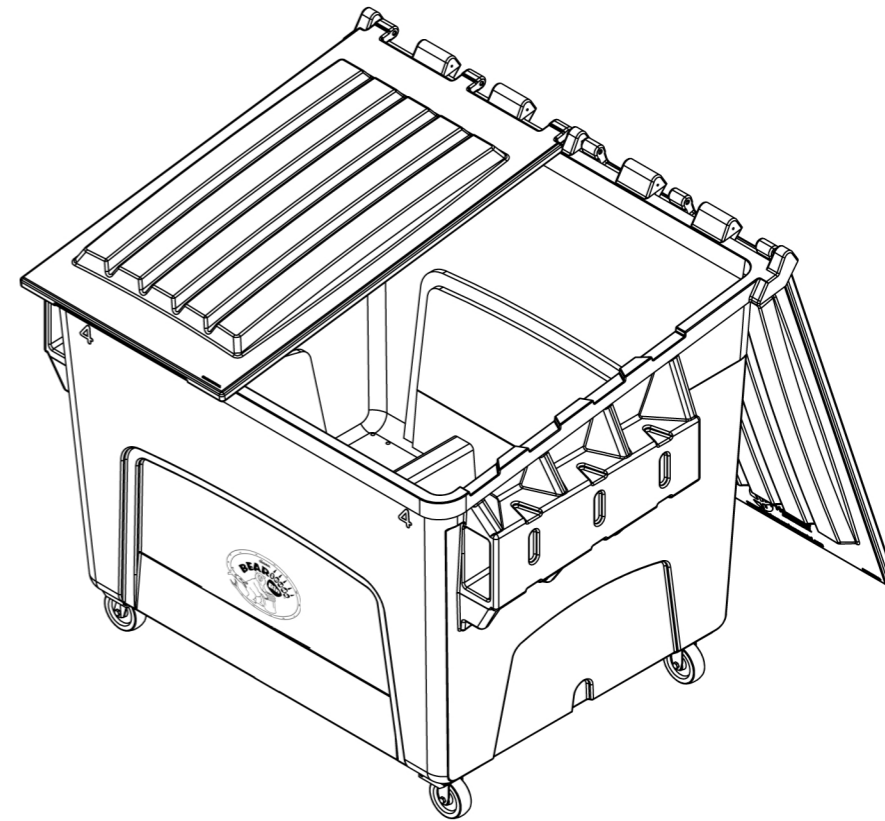
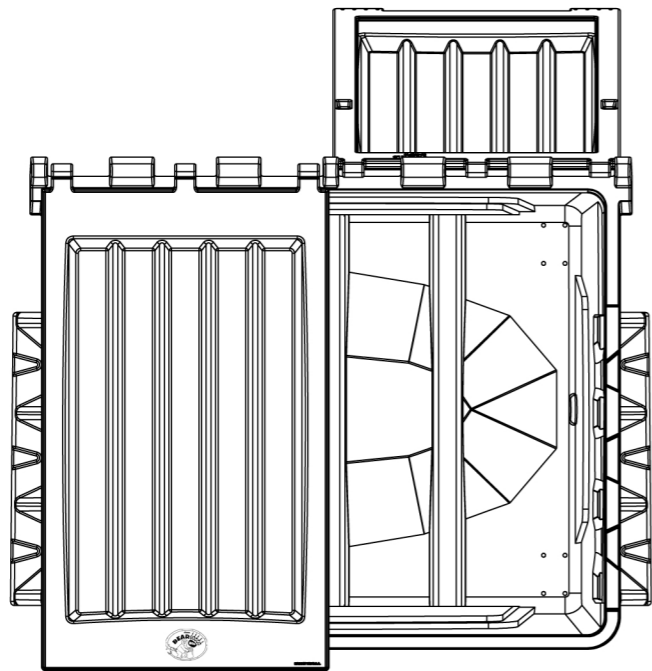


4

3

2

1



SPECS:
APPROXIMATE VOLUME 3.9 CUBIC YARDS
APPROXIMATE WEIGHT 355 LBS. (WITH CASTERS AND LIDS)
LOAD CAPACITY 3000 LBS.
TRUCK QTY. 30

PROPRIETARY AND CONFIDENTIAL
 THE INFORMATION CONTAINED IN THIS
 DRAWING IS THE SOLE PROPERTY OF
 BEARICUDA INC.

UNLESS OTHERWISE SPECIFIED:		NAME	DATE	BEARICUDA INC.
DIMENSIONS ARE IN INCHES		DRAWN		
TOLERANCES:		CHECKED		TITLE: 89-40F18
FRACTIONAL: MACH ±		ENG APPR.		
ANGULAR: MACH ± BEND ±		MFG APPR.		SIZE DWG. NO. REV
TWO PLACE DECIMAL ±		G.A.		C 4 YD FL-18A sales drawing A
THREE PLACE DECIMAL ±		COMMENTS:		SCALE: 1:12 WEIGHT: SHEET 1 OF 1
MATERIAL	SEE BOM			
FINISH				
NEXT ASSY	USED ON			
APPLICATION	DO NOT SCALE DRAWING			

4

3

2

1

D

D

C

C

B

B

A

A